



Store Name _____ Date Ordered _____ Designer _____

Please fax all questions and quotes to 315 536 7273.

Standard Tops

Bowl Style Oval Recessed Plain
 Shell Recessed Plain

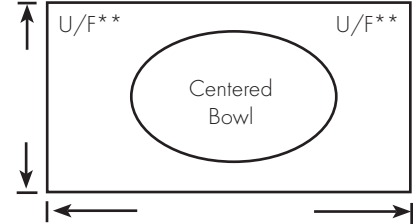
Faucet Drilling Single 4" 8"

*** Side Splash** Left Right

*** Overflow Ring** Brass Chrome
 (Not available on shell bowls.)

Color _____

Comments _____



Custom Tops (Single Bowl)

Bowl Style Oval Recessed Plain
 Shell Recessed Plain
 Rectangle Soaps Yes No

Faucet Drilling Single 4" 8"

Dripless Edge Yes No
 22" x (31, 37, 43, 49 and 61" lengths only)
 19" x (25, 31 and 37" lengths only)

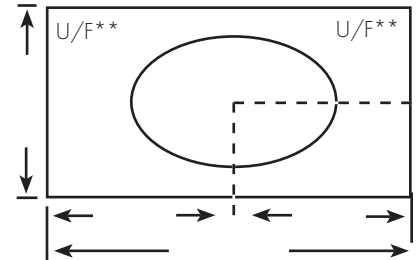
*** Edge Treatment** Chamfer Step Down Round Over

*** Side Splash** Left Right

*** Overflow Ring** Brass Chrome
 (Not available on shell bowls.)

Color _____

Comments _____



Custom Tops (Double Bowl)

Bowl Style Oval Recessed Plain
 Shell Recessed Plain
 Rectangle Soaps Yes No

Faucet Drilling Single 4" 8"

Dripless Edge Yes No
 22" x (49 and 61" lengths only)
 19" x (49 and 61" lengths only)

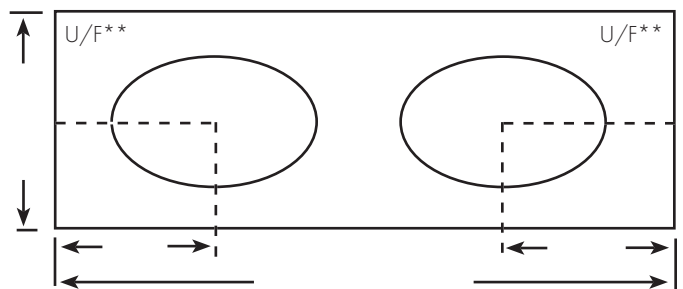
*** Edge Treatment** Chamfer Step Down Round Over

*** End Splash** Left Right

*** Overflow Ring** Brass Chrome
 (Not available on shell bowls.)

Color _____

Comments _____



*Additional costs associated with options. See price book.

** Indicate unfinished or finished edge by circling "U" for unfinished and "F" for finished in the diagram.

Due to the nature of cast polymer products, we require an allowance for an 1/8" variance on the measurement of each finished piece.

The only way to get the product to the exact size is to sand it down, leaving an unfinished edge.



P.O. # _____

Store Name _____ Date Ordered _____ Designer _____

Please fax all questions and quotes to 315 536 7273.

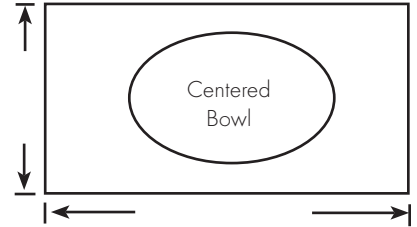
Standard Tops

- Granite** Wheat
 Burlywood
 Meteorite
 Blue Butterfly
 Absolute Black
- Marble** Mocho Chino
 Carrara Snow

- Bowl Color** White Bisquit
- Faucet Drilling** Single 4" 8"
- *Side Splash** Left Right

Retail = _____

Both ends of standard tops will be finished.

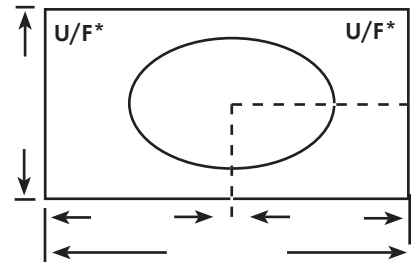


Custom Tops (Single Bowl)

- Granite** Wheat
 Burlywood
 Meteorite
 Blue Butterfly
 Absolute Black
- Marble** Mocho Chino
 Carrara Snow

- Bowl Color** White Bisquit
- Faucet Drilling** Single 4" 8"
- *Side Splash** Left Right

Retail = _____

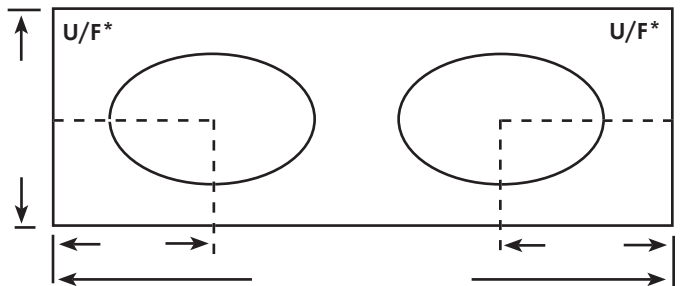


Custom Tops (Double Bowl)

- Granite** Wheat
 Burlywood
 Meteorite
 Blue Butterfly
 Absolute Black
- Marble** Mocho Chino
 Carrara Snow

Retail = _____

- Bowl Color** White Bisquit
- Faucet Drilling** Single 4" 8"
- *Side Splash** Left Right

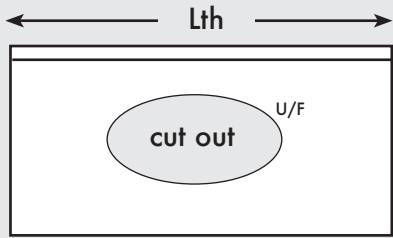


***Additional costs associated with options.**

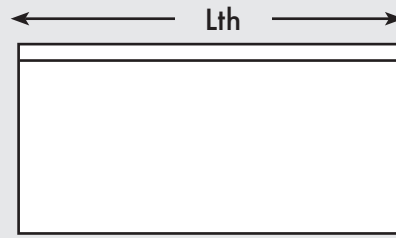


Please fax all questions and quotes to 315 536 7273.

Linear Tops (with integral, loose or no back splash)

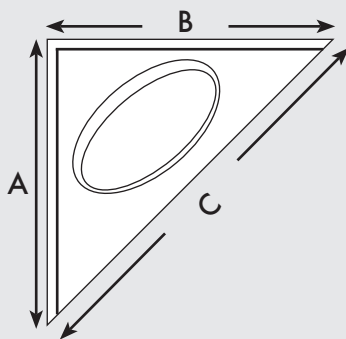


Price per length of top



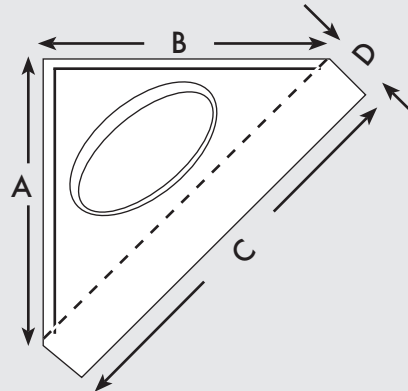
Price per length of top less \$30.00

Corner Tops (with loose or no back splash)

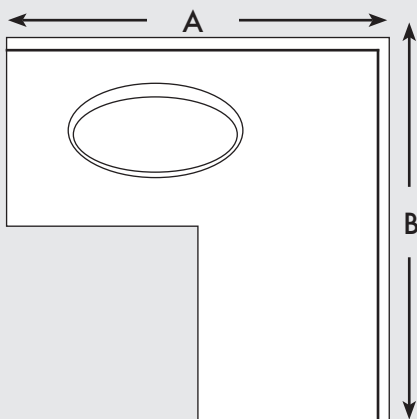


Price per length of C

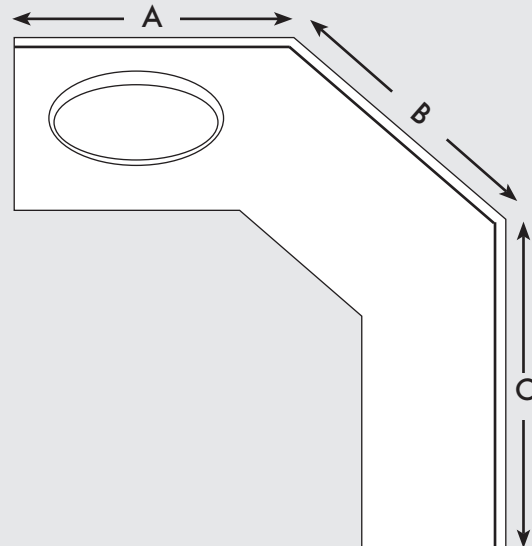
$$A^2 + B^2 = C^2$$



Price per length of C + 5% per inch of length D



Price per length A + B



Price per length of A + B + C

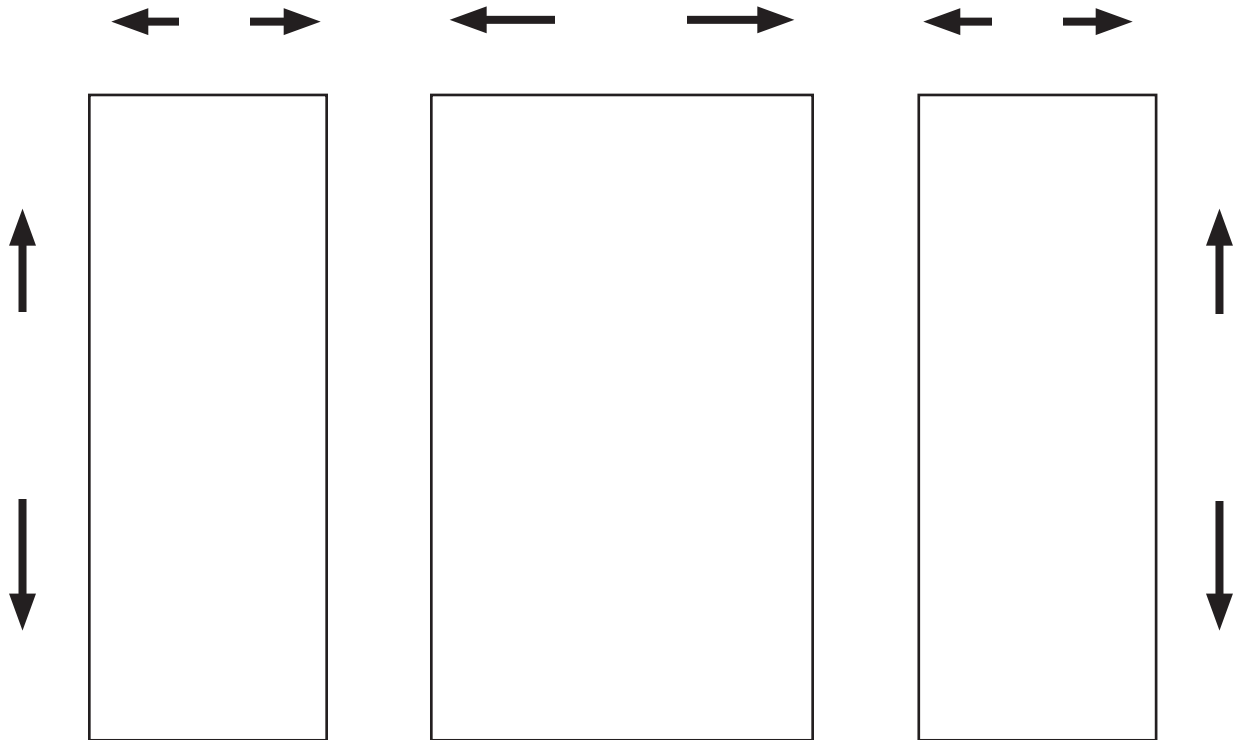
Due to the nature of cast polymer products, we require an allowance for an 1/8" variance on the measurement of each finished piece. The only way to get the product to the exact size is to sand it down, leaving an unfinished edge.



Company _____ Date Ordered _____

P.O. # _____

Wall Panel Thickness: 3/8" 1/2" 3/4" Color _____



Moldings: Quantity@LF

Inside Corner _____ @ _____

Single Cove _____ @ _____

Double Cove _____ @ _____

Recessed Accessories:

Shampoo/Soap Holder, small _____

Shampoo/Soap Holder, large _____

Soap Dish _____

Toilet Paper Holder _____

Wall Mounted Accessories:

Tumbler Holder _____

Tumbler/Toothbrush Holder _____

Toilet Paper Holder _____

Towel Rings: Chrome _____ Brass _____

Towel Bar Ends: Chrome _____ Brass _____

Soap Dish _____

Toothbrush Holder _____